



**STAINLESS STEEL
150 LBS SCREWED FITTINGS**

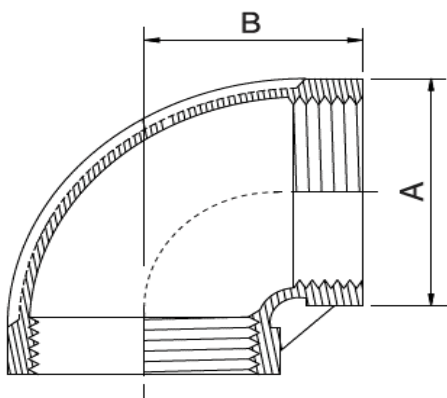
BSPP (ISO 228-1), BSPT (ISO 7-1), NPT THREAD

DIMENSION CONFORM TO ASME B16.3 AND ANSI/MSS SP-114-2018 WHERE APPLICABLE

MATERIAL CONFORM TO ASTM A351 GR. CF8 & CF8M

PRESSURE-TEMPERATURE RATINGS 300 PSI (-29 TO 66°C)

MADE BY LOST WAX INVESTMENT CASTING



ELBOW 90° F.F.

Standard
Pattern

Size	A	B	Weight
	(mm)	(mm)	(Kg/Pc)
1/8"	14.0	17.0	0.020
1/4"	17.3	19.0	0.030
3/8"	21.0	21.3	0.040
1/2"	26.5	26.3	0.060
3/4"	32.0	31.5	0.090
1"	39.5	34.8	0.140
1 1/4"	50.0	42.0	0.250
1 1/2"	57.0	46.2	0.360
2"	69.3	52.4	0.500
2 1/2"	90.0	68.9	1.107
3"	100.0	74.0	1.348
4"	127.0	89.7	2.134